

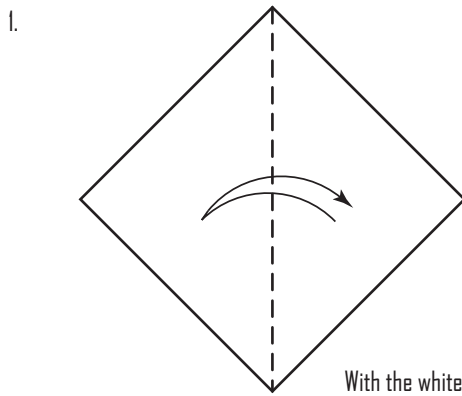
Origami Kites "Kiss the Sky!"

created by Brent Marshall
copyright © 2003

This is a beginner fold that flies! If you fold it out of red paper it looks like a set of lips floating in the sky.

You will require tape and string to get this fold into the air.

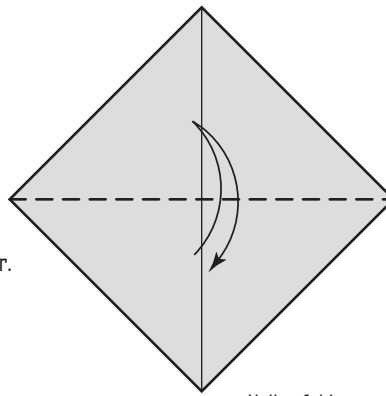
If you have difficulty flying the kite then I would suggest playing with the bridle to set the knot higher or lower.



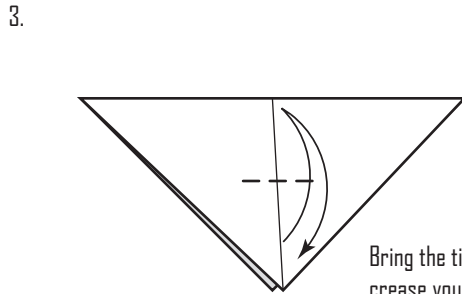
1. With the white side of the paper up, valley fold and unfold.



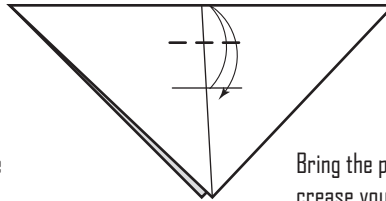
Turn the paper over.



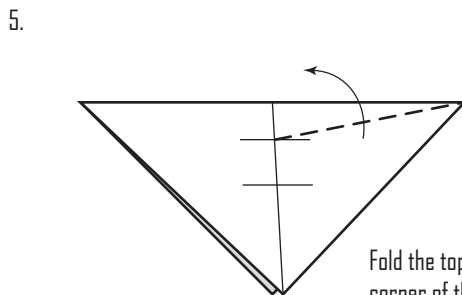
2. Valley fold.



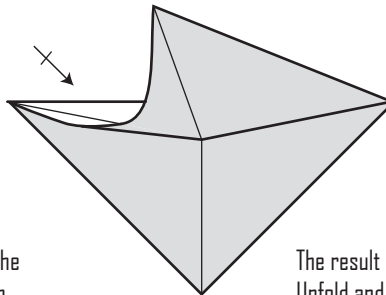
3. Bring the tip of the triangle to the crease you made in step 2. Pinch the middle. Now unfold.



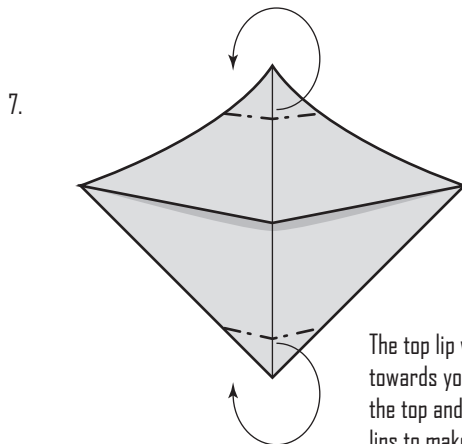
4. Bring the pinch mark to the crease you made in step 2. Unfold again.



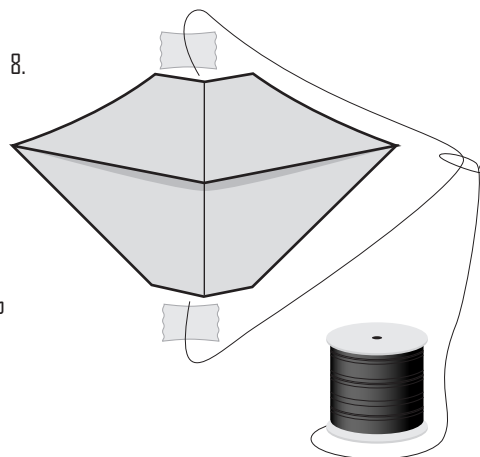
5. Fold the top layer of paper from the corner of the triangle to the pinch mark you made in step 4.



6. The result of step 5 will look like this. Unfold and repeat step 5 on the left-hand side.



7. The top lip will now stand up towards you. Mountain fold the top and bottom of the lips to make them look more "lip-like!"



8.

Step 8 is the hard part (at least for me) Take one piece of string the length of the mouth from one side to another. Cut it from the spool.

Tape one end to the back side of the top lip. Tape the other end to the back of the bottom lip.

Now tie the spool to the loop of string you just made.

You're ready to fly! Wait for some wind or make your own! Try yanking on the string to make it kiss!